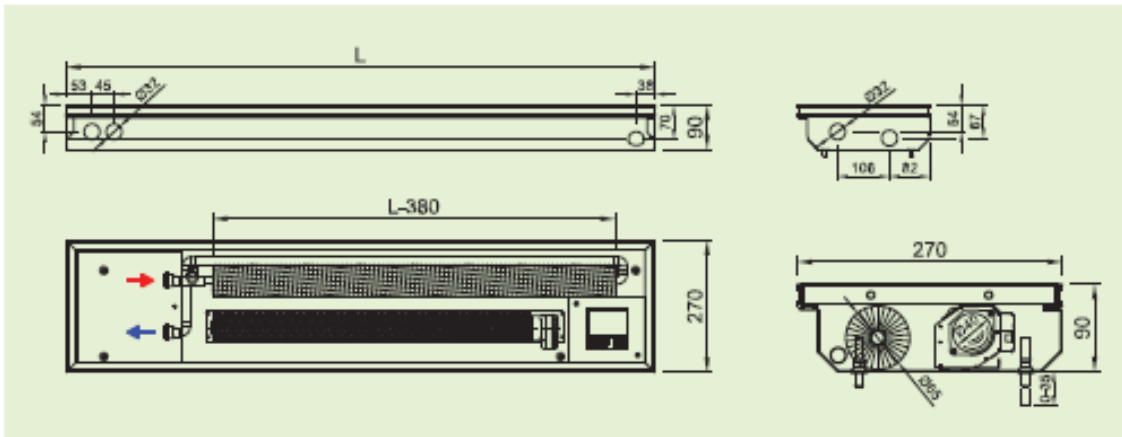


# Gulvkonvektorer

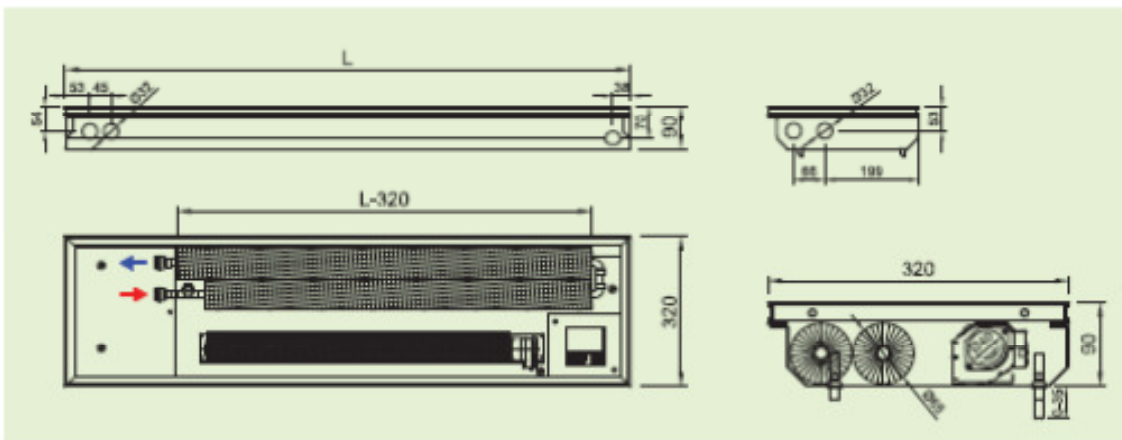
## FLT *med* blæser

### Installationsoversigt

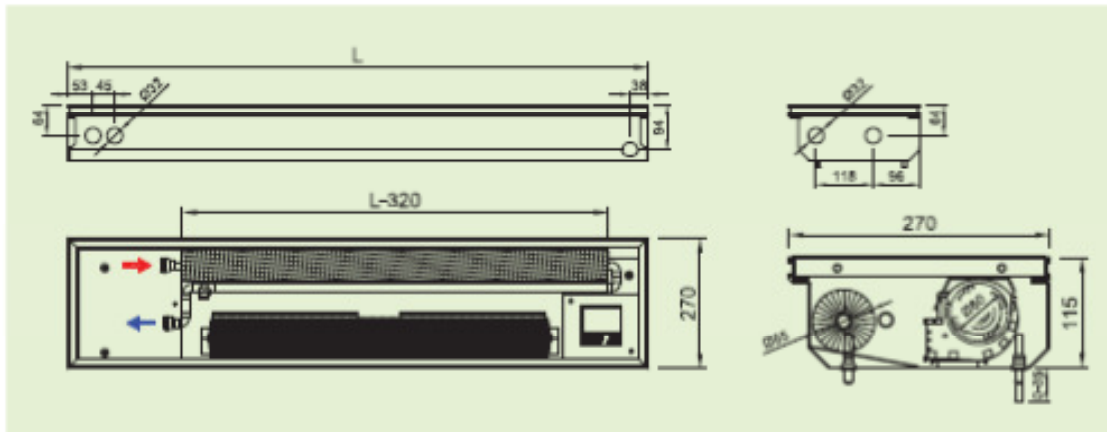
#### FLT10-09 24V | CROSS-FLOW FAN CONVECTION



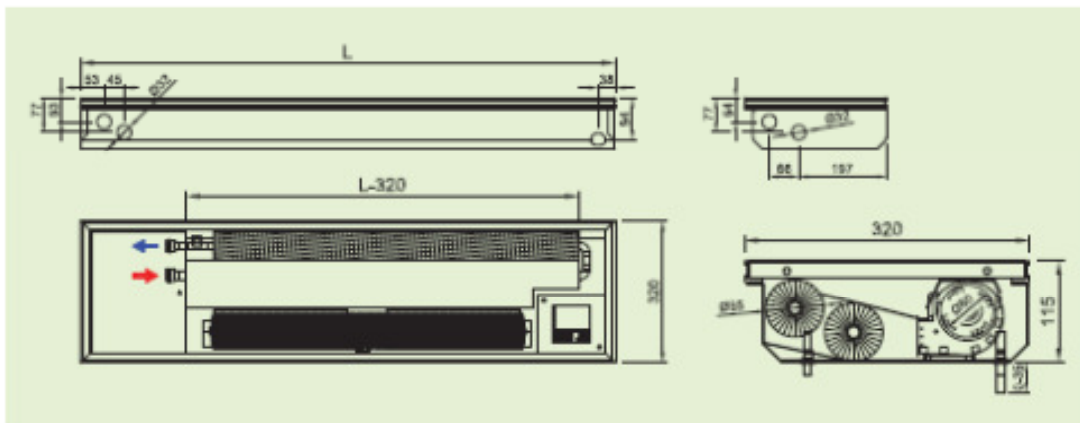
#### FLT20-09 24V | CROSS-FLOW FAN CONVECTION



## FLT10-11 24V | CROSS-FLOW FAN CONVECTION

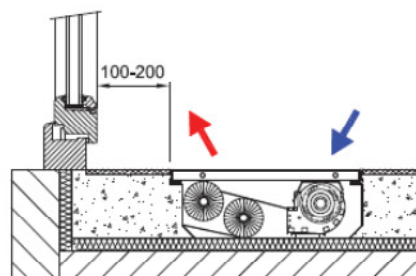


## FLT20-11 24V | CROSS-FLOW FAN CONVECTION



### RECOMMENDED STANDARD INSTALLING IN FLOOR

- Convector installation with exchanger towards window
- ideal position 100-200 mm distance from window
- fan draws in the room air
- the air is warmed up by flowing through exchanger
- hot air is mixed with cold air flowing off the window surface
- air circulation: warms up the room air  
screens the window surface  
secondary demisters the window surface



### CONVECTOR CONNECTION TO THE HEATING SYSTEM

Floor convector is fitted with openings for connection to the heating system. There are three connection possibilities, from the room, side or window wall.

