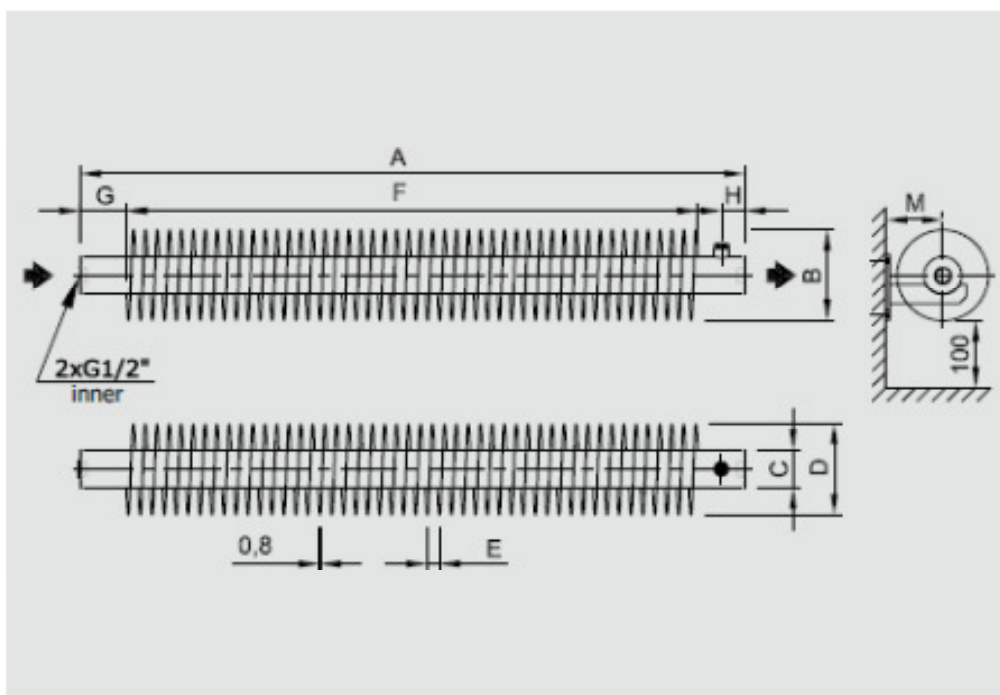


Ribberør

RA1

Installationsoversigt



RA1-W	Dimensions [mm]												
	A	B	C	D	E	F	G	H	I	J	K	L	M
∅ 32 × 2,0 × ∅ 92 mm	500-6000	D	32	92	10	A-100	50	25	-	-	-	-	60
∅ 57 × 2,5 × ∅ 137 mm	500-6000	D	57	137	18	A-140	70	35	-	-	-	-	85
∅ 76 × 2,5 × ∅ 156 mm	500-6000	D	76	156	20	A-140	70	35	-	-	-	-	95

Note: ∅ 32 × 2,0 × ∅ 92 [mm] - diameter of tube × thickness × diameter of winding [mm]