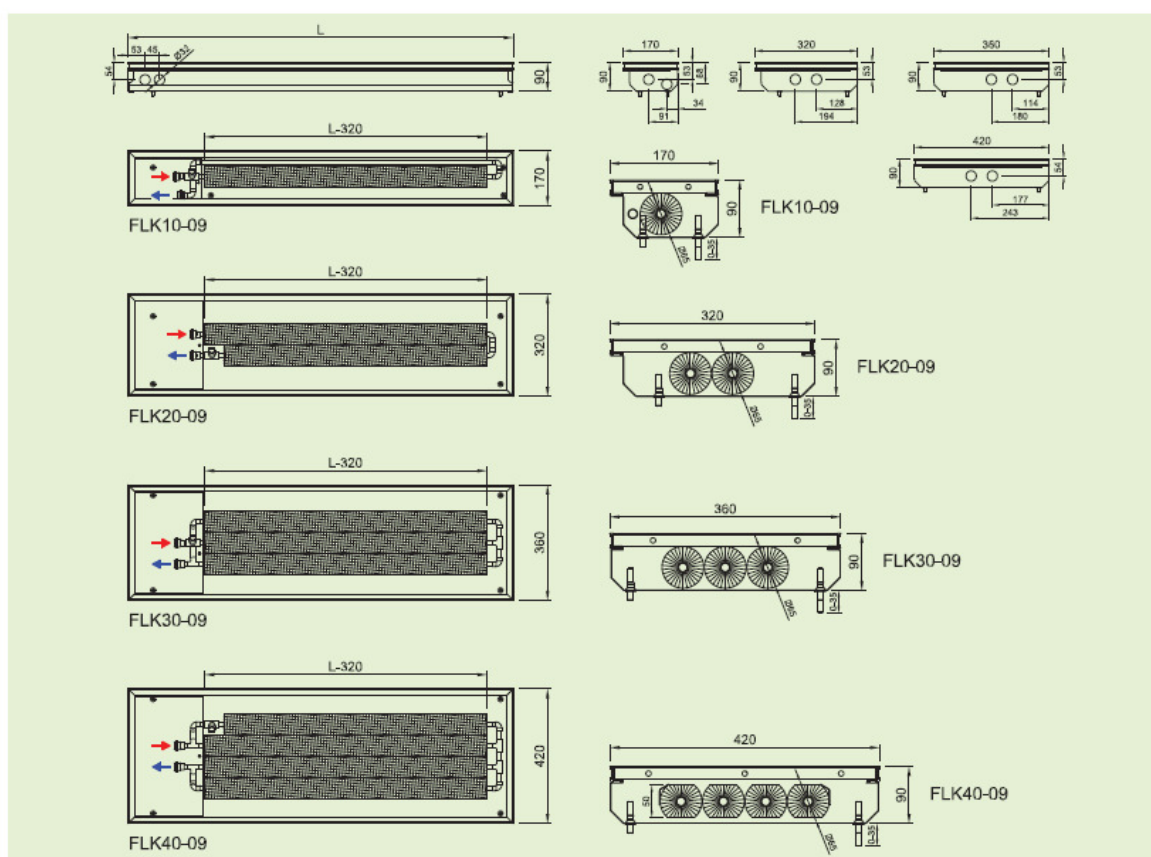


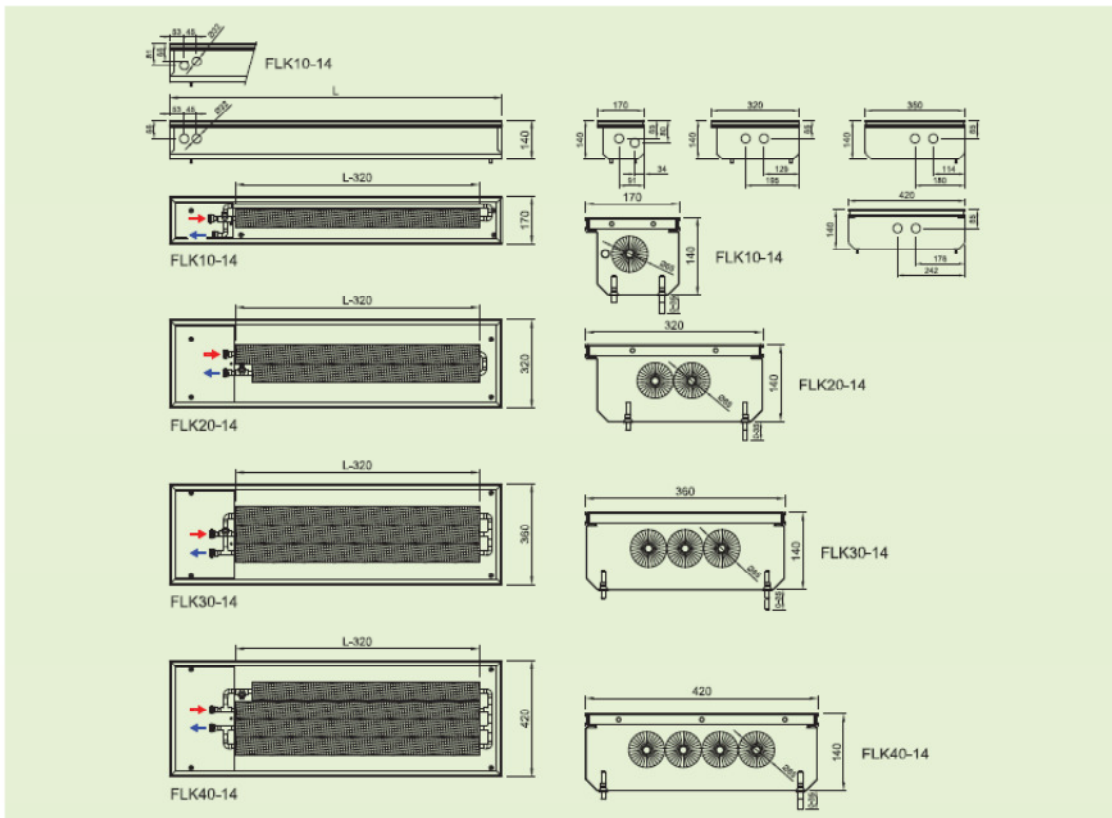
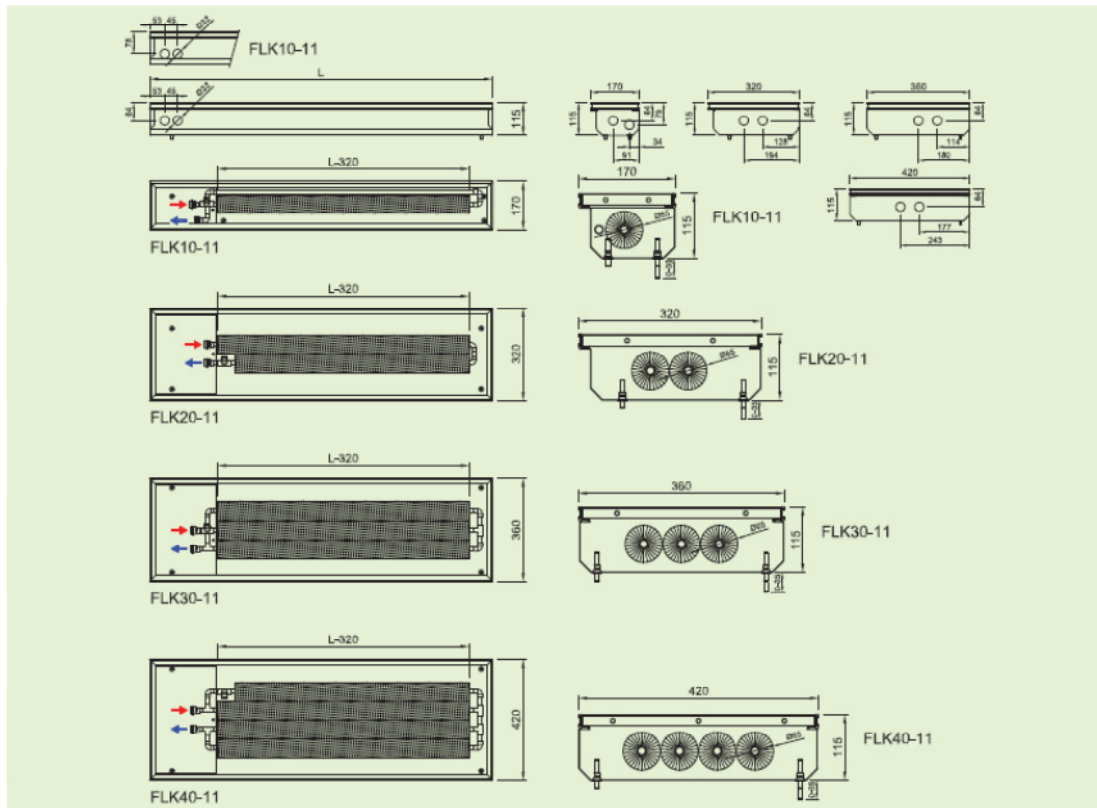
Gulvkonvektorer

FLK *uden blæser*

Installationsoversigt

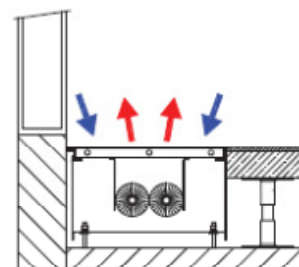
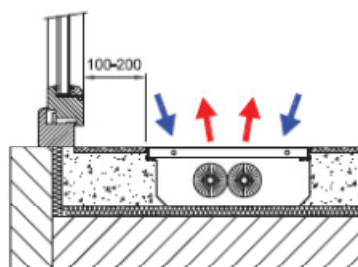
FLK10-09, FLK20-09, FLK30-09, FLK40-09 | TECHNICAL DATA





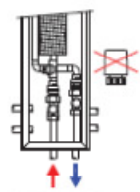
RECOMMENDED STANDARD INSTALLING IN FLOOR

- Ideal position 100-200 mm distance from window
- The air is warmed up by flowing through exchanger
- Hot air is mixed with cold air flowing off the window surface
- Air circulation: warms up the room air
screens the window surface
secondary demisters the window surface

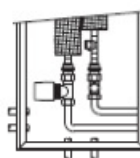


CONVECTOR CONNECTION TO THE HEATING SYSTEM

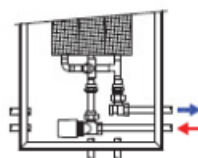
Floor convector is fitted with openings for connection to the heating system. There are three connection possibilities, from the room, side or window wall.



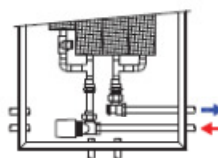
FLK10-09
FLK10-11
FLK10-14



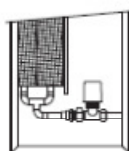
FLK20-09
FLK20-11
FLK20-14



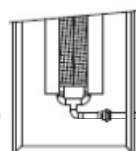
FLK30-09
FLK30-11
FLK30-14



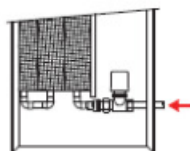
FLK40-09
FLK40-11
FLK40-14



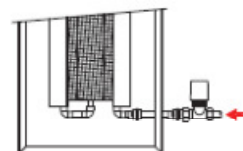
FLK20-18
FLK20-30
typ A



FLK20-18
FLK20-30
typ B



FLK30-18
FLK30-30
typ A



FLK30-18
FLK30-30
typ B